

**DIGITAL VIDEO / MUSIC PLAYER**  
**MP3/WMA/AMV**

**USER MANUAL**  
**PLAY PRO V3**

---

Before connecting, operating or adjusting this product please read these instructions completely.

# GENERAL

## 1.1 PLAY PRO V3 characteristics

- Support MP1/MP2/MP3/WMA/WMV/ASF/WAV/OGG music format.
- Support MTV movie format
- Support JPEG/BMP/GIF picture format
- Support WAV/MP3 format voice recording
- 2.0" high resolution full color TFT display
- Graphic user control interface
- Built in speaker

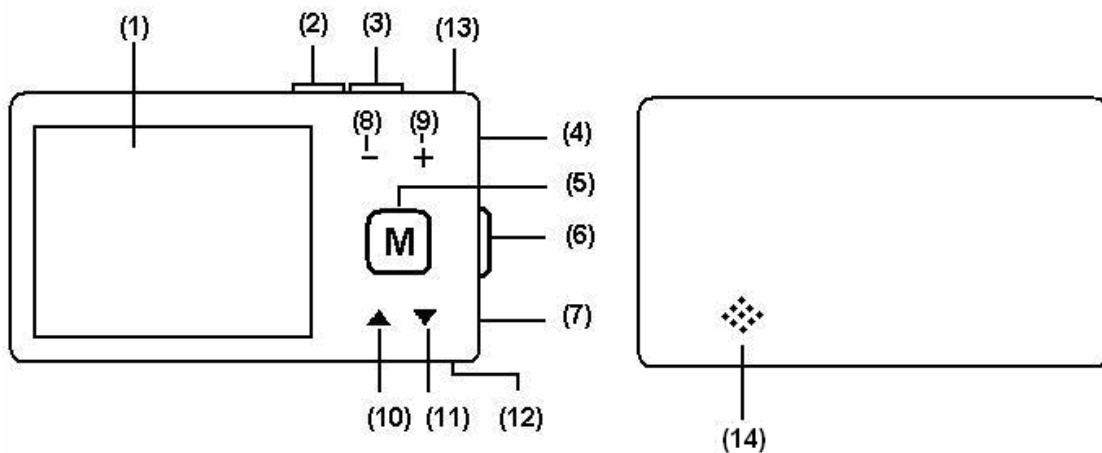
## 1.2 Box set includes

- MP3 player
- Stereo earphone
- Driver & utilities CD disc
- USB cable

## 1.3 Computer requirements

- Pentium 100 MHz or faster
- 32MB RAM or above
- CD- ROM
- Hard disk with at least 15MB free memory space
- USB 1.1/2.0
- Windows 98/ME/2000/XP, Mac OS 10, Linux 2.4.2

## 1.4 The player appearance interface



## 1.5 Figure & Keys

- (1) Display
- (2) REC/A-B button
- (3) PLAY => OPEN/PLAY/PAUSE/STOP/POWER OFF
- (4) USB connector
- (5) MENU" => Switch modes, menu selection by pressing on button
- (6) ON/OFF switch
- (7) Earphone
- (8) Vol -
- (9) Vol +
- (10) NEXT
- (11) PREV
- (12) Cord hole
- (13) MIC
- (14) SPEAKER

## 1.6 Battery

PLAY PRO V3 has an on screen battery monitor:

- When battery level low , recharge immediately (connect PLAY PRO V3 to external charger or PC)
- **Attention: ON/OFF switch must be switched ON when charging!**

## 1.7 Power on/off

- Power on/off the player by switching “POWER” switch to on position. Afterwards press “PLAY” key for 2 seconds.
- When powered on, press and hold the “PLAY” key for 2 seconds. Player will power-off. Press and hold “PLAY” key to power on again.

# OPERATION

## 2.0 Main Menu

Seven modes at main menu with different featuring, respectively:

- Music
- FM
- Voice
- Photo
- File
- Setup
- Video

Use "NEXT" or "PREV" keys to select among these modes, then press "PLAY" button, to enter

## 2.1 Music mode

From main menu, select MUSIC mode and press PLAY button to enter.

Use "PREV" or "NEXT" keys to select music file, press "PLAY" key for specific music playback

Press "MENU" button to enter submenu.

Five options:

◆ Repeat

|               |                                      |
|---------------|--------------------------------------|
| No Repeat     | Normal playback                      |
| Repeat One    | Repeats the current song             |
| Repeat All    | Repeats all the music                |
| Random All    | At random playback of all music      |
| Folder Normal | Normal playback of a specific folder |
| Folder Repeat | Repeats specific folder              |
| Folder Random | Random playback of one folder        |

◆ Equalizer

|           |
|-----------|
| Normal    |
| Rock      |
| Pop       |
| Classic   |
| Jazz      |
| Bass      |
| Custom EQ |

◆ Play rate

- Change music playback speed
- Attention: Tempo rate setting works only on MP3 file!

◆ File

- Select the desired song and press PLAY

◆ Classified

- Select songs according to different groups: Genre, Artist, Album or Title

## 2.2 FM radio

Select FM in main menu and press PLAY button to enter:

Press PLAY button to switch between PRESET mode and NORMAL mode

### NORMAL MODE

- Short press “◀◀” or “▶▶” button to change frequency with 0.1 Hz;
- Press and hold “◀◀” or “▶▶” button. Release when frequency changes. Tuner will automatically search for the next available station
- Single press MENU button to enter in FM submenu:

- SavePreset: press PLAY button to store current radio frequency
- Auto scan: press PLAY button for automatic selection and storage of the available radio stations
- Record: press play button to record current radio station FM program (cfr voice recording)

Press Menu button to return to main FM mode

### PRESET MODE

- Short press “◀◀” or “▶▶” button to select the next **stored** radio station
- Single press MENU button to enter in FM submenu:

- Delete: press PLAY button to delete current stored radio frequency
- Auto scan
- Record

Press MENU button to return to main FM mode

## 2.3 Voice mode

From main menu, select VOICE mode and press PLAY button to enter

- Press “REC” key to start recording
- Press “PLAY” key to pause recording (recording time flashes)
- Press “PLAY” key again to continue recording.
- Press “MENU” button to stop recording and save recorded voice to file

When the device is not recording, short press “MENU” to enter VOICE submenu, options available:

- Repeat
- Equalizer
- Play Rate
- File
- Record

- Select between different recordings with NEXT or PREV button
- Press “PLAY” to playback the recording

## 2.4 PHOTO View

From main menu, select PHOTO mode and press PLAY button to enter

PHOTO View is designed for picture viewing.

JPEG and BMP format files are supported.

Use “NEXT” or “PREV” to select pictures file you like to view, and then press “PLAY” for confirmation.

## 2.5 FILE Manager

From main menu, select File mode and press PLAY button to enter.  
Select a specific file and press REC button to delete

## 2.6 SETUP Mode

From main menu, select SETUP mode and press PLAY button to enter

- Power
  - ◆ Auto off: after 15,30,60,90 or 120 minutes
  - ◆ Always on
- Language: choose your language
- Display: auto switch off after 15, 30 or 60 seconds
- Record
  - ◆ Source: Microphone
  - ◆ Quality: 32K, 64K or 128K
- Sys Tools
  - ◆ Delete
  - ◆ Format
  - ◆ Reset
  - ◆ Sys Info
  - ◆ Refresh
  - ◆ File Sort

## 2.7 VIDEO mode

From main menu, select VIDEO mode and press MENU button to enter

This player can only play MTV movie files.

Remember that most currently popular movie formats such as AVI, RM, 3GP, MP4...are not directly support by PLAY PRO V3. File conversion by computer with MTV Converter software is needed. AMV Converter is included on the CDROM.

Use "NEXT" or "PREV" keys to select MTV file, press "PLAY" key to playback movie

# SPECIFICATION

|                    |  |
|--------------------|--|
| DISPLAY            | 2.0" Diagonal CSTN Display   |
| PC CONNECTION      | USB 2.0 High Speed   |
| FLASH MEMORY       | 2, 4, 8GB  |
| POWER SUPPLY       | 3.8V Rechargeable Lithium Battery                                  |
| MUSIC FORMAT       | MP1, MP2, MP3, WMA, WMV, ASF, WAV, MTV, OGG                        |
| MOVIE FORMAT       | MTV (20 frames/second)   |
| RECORD FORMAT      | WAV (32-384K BPS sampling rate)<br>MP3 (32-192K BPS sampling rate) |
| DISTORTION         | Less than 0.1%   |
| FREQUENCY RESPONSE | 20Hz~20KHz   |
| HEADSET OUTPUT     | 5mW (320Ohm)   |
| OPERATION SYSTEM   | WINDOWS 98/2000/ME/2000/XP, Mac OS 10, Linux 2.4.2                 |

# TECHNICAL SUPPORT

For online support, please visit  
[www.SOSmp3.com](http://www.SOSmp3.com)

